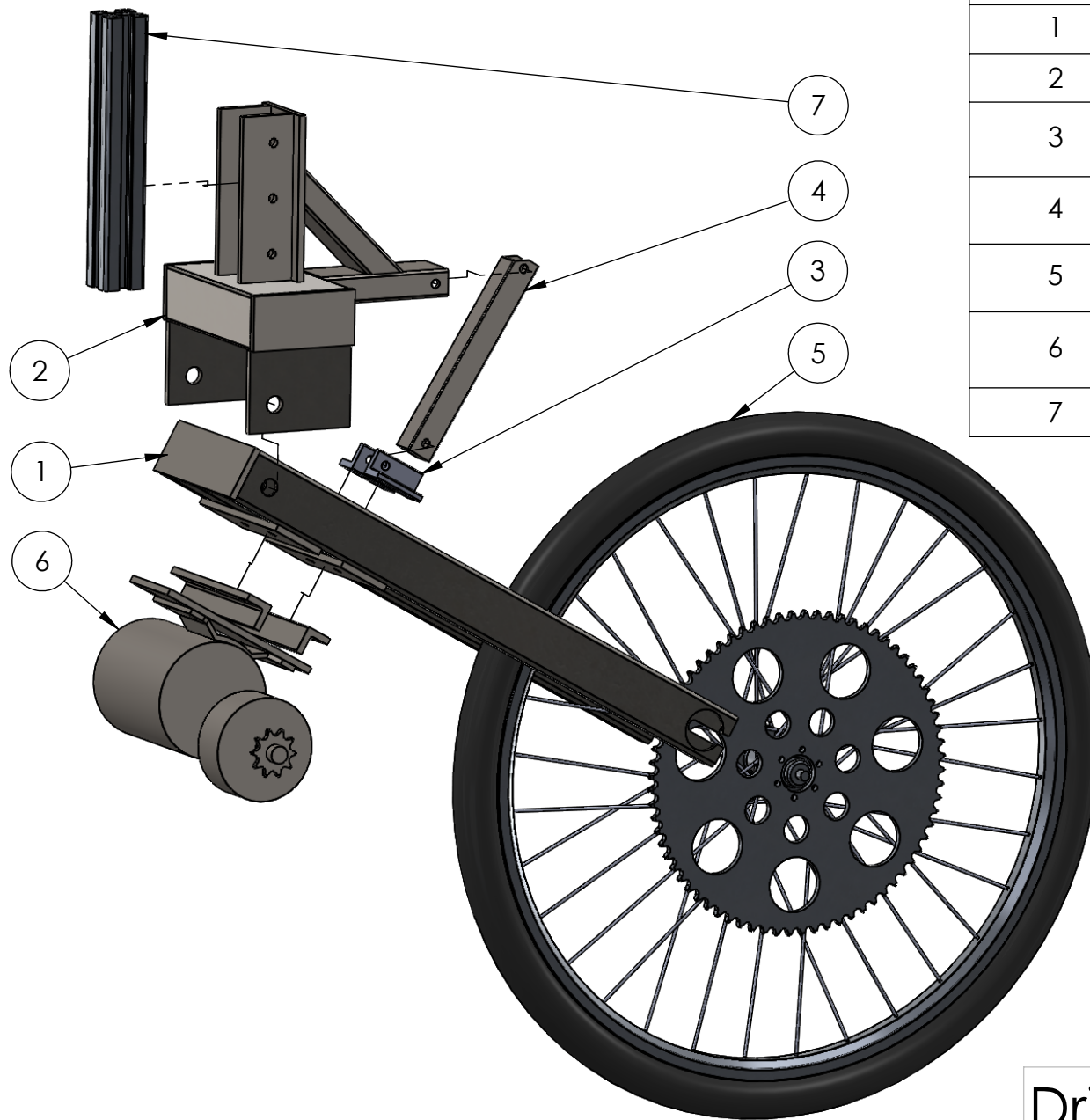


**Front Wheel Mount**  
Units: cm

B



ITEM NO.	PART NUMBER	QTY.
1	Wheel Support Arm	1
2	Drive Wheel Mount	1
3	0.64 x 2.54 x 2.54 x 5.08 Aluminum Angle	2
4	0.32 x 2.54 x 2.54 x 21.59 Square Tube	1
5	Drive Wheel with Sprocket	1
6	Motor and Motor Mount Assembly	1
7	T-slot Attachment	1

B

A

## Drive Wheel Assembly

Units: cm

2

1