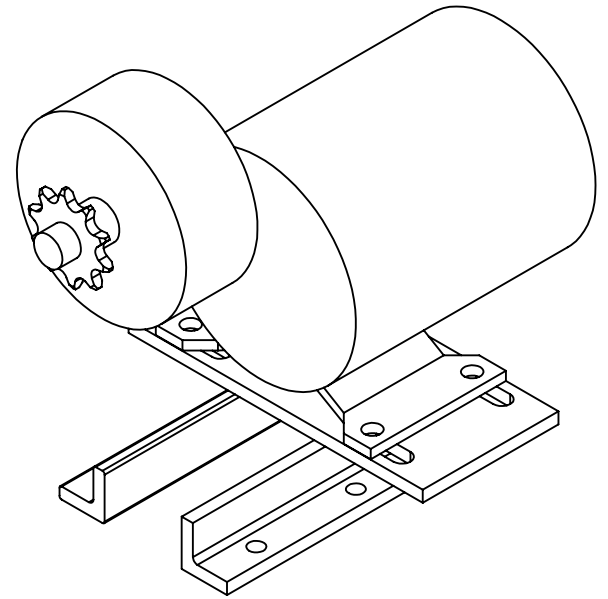
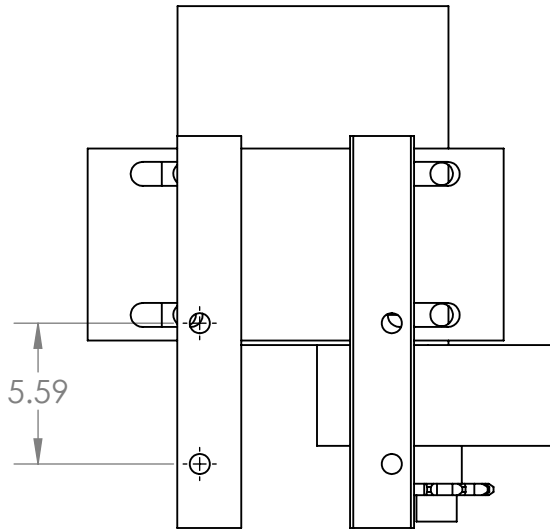
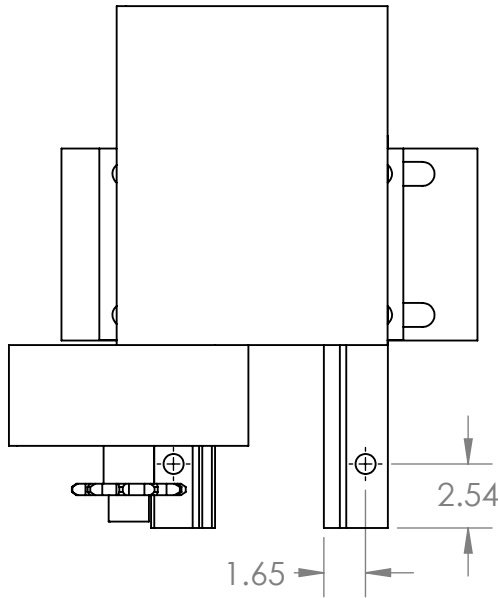


2

1

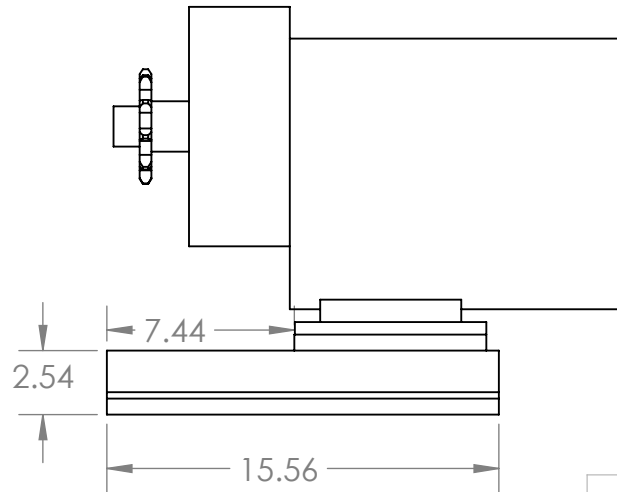
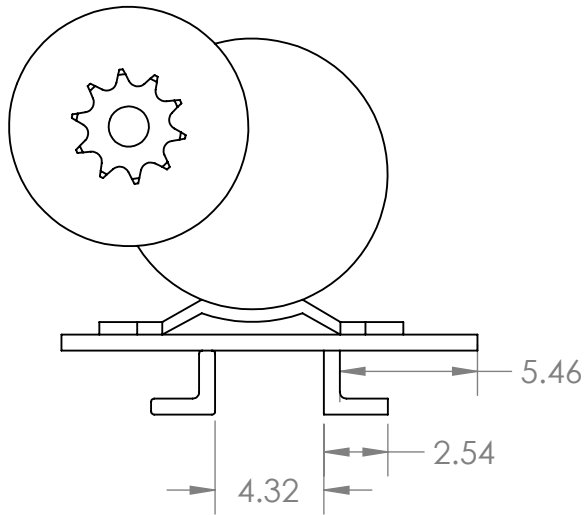
B

B



A

A



MotorAssembly
units: cm

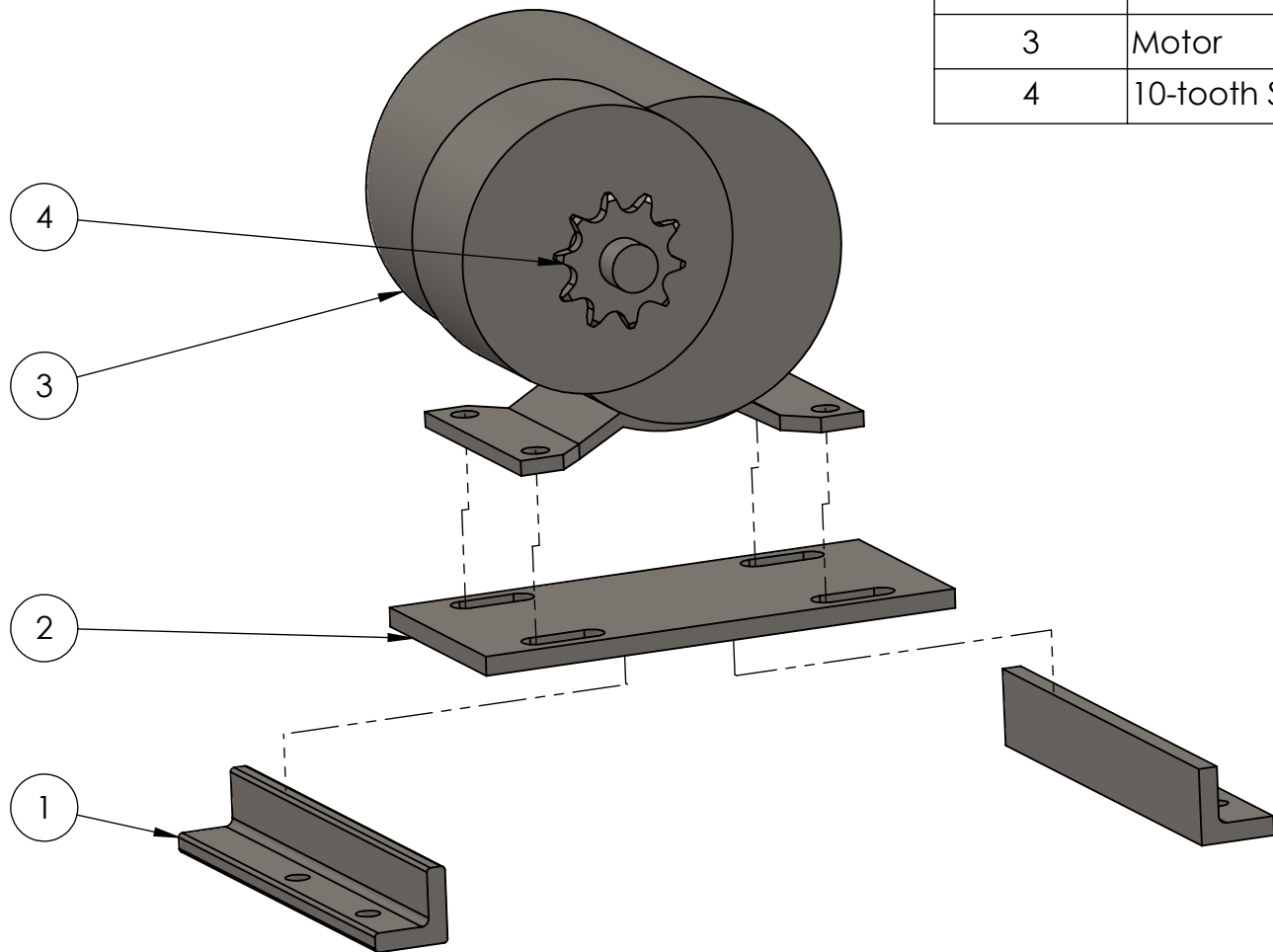
2

1

2

1

ITEM NO.	PART NUMBER	QTY.
1	0.64 x 2.54 x 2.54 x 15.24 Angle Bar	2
2	0.64 x 7.62 x 13.97 Rectangular bar Motor Mount	1
3	Motor	1
4	10-tooth Sprocket	1



B

B

A

A

2

1

MotorAssembly